



# HAWLE - **ZAK System**

the threadless, restraint jointing system



HAWLE. **MADE FOR GENERATIONS.**



## HAWLE - **ZAK System**

- the threadless, restraint jointing system for service connections
- integrated in Pipe Saddles, Service Valves and Fittings
- PN 16



### **Simple installation:**

- *push into*
- *rotate for 90°*
- *pull out*
- *fit the snap ring*

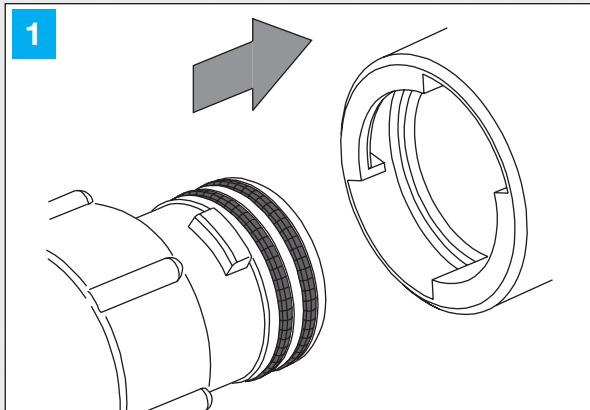
### **ZAK -sockets d 34**

for pipe drilling Ø 25 mm  
ISO-push fit from PE-pipes Ø 25 mm - Ø 50 mm

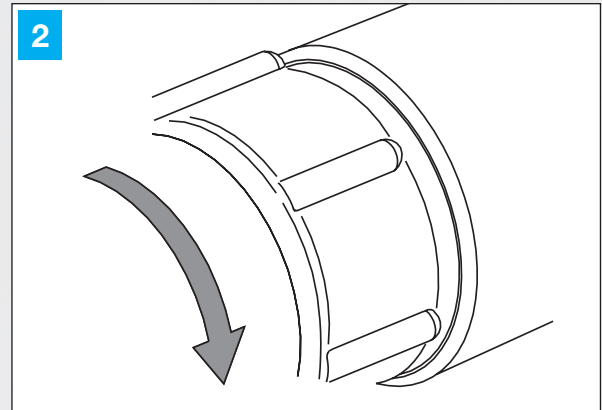
### **ZAK -sockets d 46**

for pipe drilling Ø 35 mm  
ISO-push fit from PE-pipes Ø 32 mm - Ø 63 mm

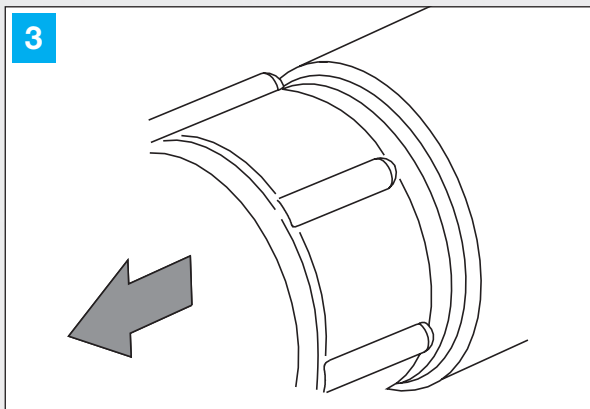
## HAWLE - **ZAK System** ASSEMBLY INSTRUCTIONS



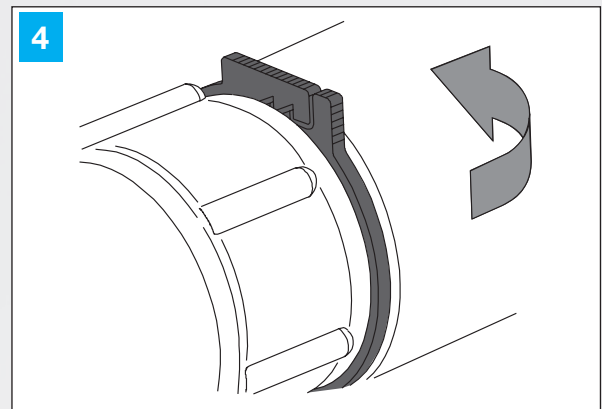
Grease the O-rings of the spigot end. Push the ZAK-spigot end into the **ZAK**-socket to the stop.



Rotate the **ZAK**-Fitting for 90° clockwise to the stop

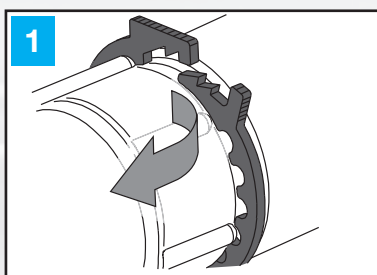


Pull out the **ZAK**- Fitting to the stop (approx. 4 mm)

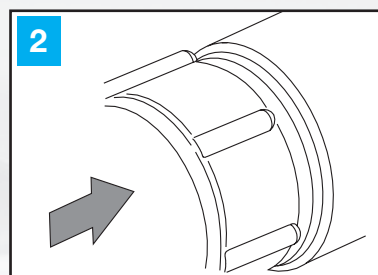


Fit the snap ring in the gap and push the locking ends together.

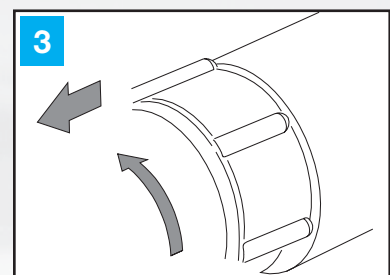
## HAWLE - **ZAK System** DISMANTLING INSTRUCTIONS



Open the snap ring, widen it and pull it back.



Push in the **ZAK**- Fitting to the stop (approx. 4 mm)



Turn the **ZAK**-Fitting for 90° counterclockwise to the stop and pull it out of the **ZAK**-socket.

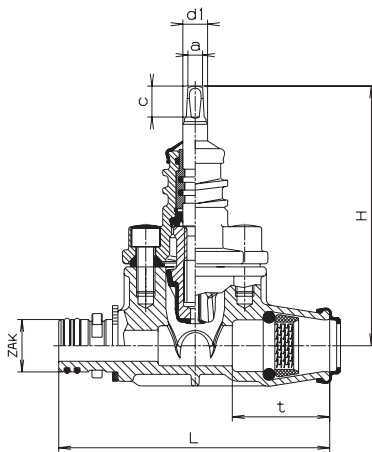
# HAWLE - ZAK System RANGE

## ZAK-Service Valve

with ZAK-Spigot and ISO Socket  
for lateral tapping



No. 2810



### ZAK 34

DN	PE pipe Ø mm	H	L	t	a	c	d1	Weight
¾"	25	168	173	52	10,3	20	16	2,35
1"	32	168	175	63	10,3	20	16	2,50
1¼"	40	200	205	76	10,3	20	16	2,90
1½"	50	200	232	91	10,3	20	16	3,15

### ZAK 46

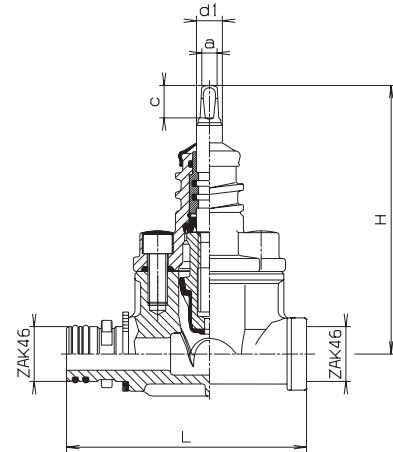
DN	PE pipe Ø mm	H	L	t	a	c	d1	Weight
1¼"	40	200	230	76	10,3	20	16	4,00
1½"	50	200	236	91	10,3	20	16	4,30
2"	63	270	267	103	10,3	20	16	4,80

## ZAK-Service Valve

with ZAK-Spigot and ZAK-Socket  
for lateral tapping



No. 2811



### ZAK 46

DN	H	L	a	c	d1	Weight
1½"	200	209	10,3	20	16	4,00

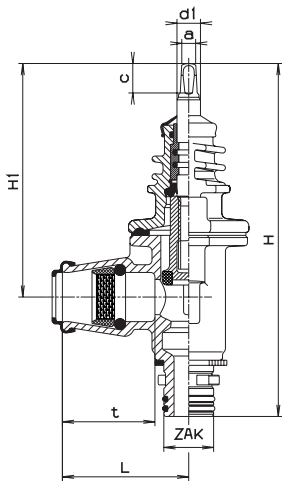


### ZAK-Service Valve

with ZAK-Spigot and ISO socket  
for vertical tapping



**No. 3160**



#### ZAK 34

DN	PE pipe Ø mm	H	H 1	L
¾"	25	240	159	80
1"	32	240	159	80

#### ZAK 34

DN	t	a	c	d 1	Weight
¾"	52	10,3	20	16	2,30
1"	63	10,3	20	16	2,40

#### ZAK 46

DN	PE pipe Ø mm	H	H 1	L
1¼"	40	272	190	106
1½"	50	286	190	220

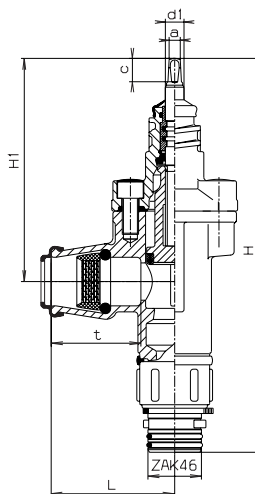
#### ZAK 46

DN	t	a	c	d1	Weight
1¼"	76	10,3	20	16	4,15
1½"	91	10,3	20	16	4,25

### ZAK-Service Valve

360° swivel type, with ZAK-Spigot  
and ISO socket  
for vertical tapping

**No. 3162**



#### ZAK 46

DN	PE pipe Ø mm	H	H 1	L
1½"	40	355	190	106

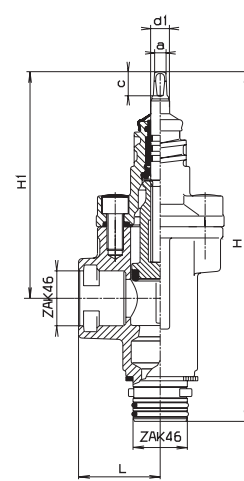
#### ZAK 46

DN	t	a	c	d 1	Weight
1½"	76	10,3	20	16	4,85

### ZAK-Service Valve

with ZAK-Spigot and ZAK-Socket  
for vertical tapping

**No. 3161**



#### ZAK 46

DN	H	H 1	L
1½"	297	190	69

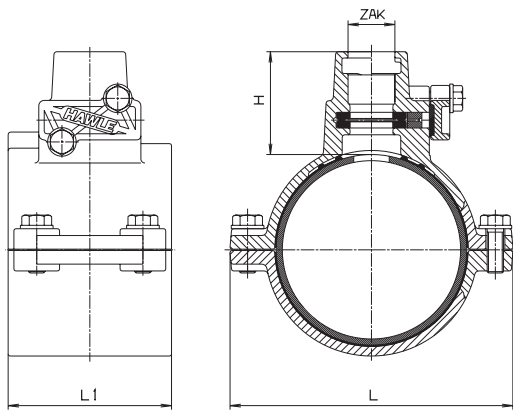
#### ZAK 46

DN	a	c	d 1	Weight
1½"	10,3	20	16	3,90

## ZAK-HAKU Shut-off Saddle

for lateral and vertical tapping  
of PE and PVC pipes

No. 5320



**ZAK 34**, for pipe drilling  $\varnothing$  25 mm

Pipe $\varnothing$ mm	H	L	L 1	Weight kg
63	107	135	100	2,90
90	73	150	110	3,35
110	73	170	120	3,75
140	76	208	120	5,00
160	80	230	120	5,85
225	83	310	120	7,65

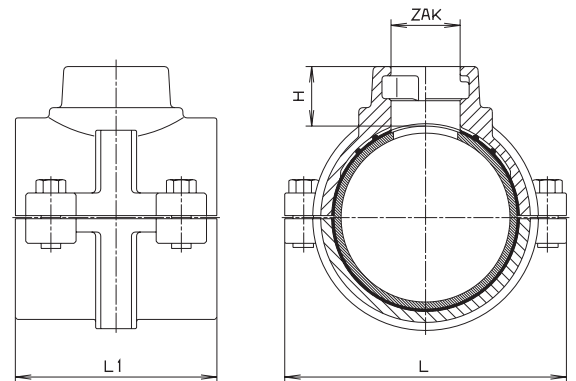
**ZAK 46**, for pipe drilling  $\varnothing$  35 mm

Pipe $\varnothing$ mm	H	L	L 1	Weight kg
90	72	150	110	3,55
110	74	170	120	4,00
140	79	208	120	5,20
160	74	230	120	5,95
225	86	310	120	7,70

## ZAK-HAKU Pipe Saddle

for lateral and vertical tapping  
of PE and PVC pipes

No. 5260



**ZAK 46**, for pipe drilling  $\varnothing$  35 mm

Pipe $\varnothing$ mm	H	L	L 1	Weight kg
63	46	135	100	1,90
90	46	150	110	3,00
110	46	170	120	3,10
125	39	190	120	3,80
140	39	205	120	4,80
160	39	230	120	5,00
225	39	300	120	7,00

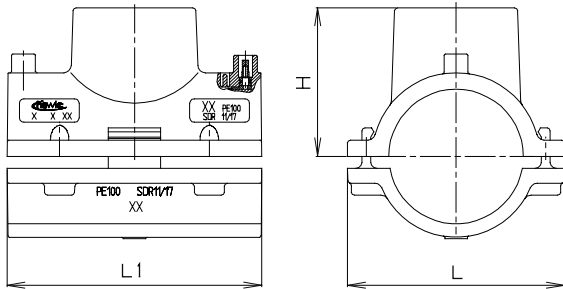
### HA-WELD Fusion Saddle

with **ZAK**-Socket  
of PE pipes

**No. 5261**

of PE 100

**ZAK**-Connection of brass



**ZAK 34**, for pipe drilling  $\varnothing$  25 mm

Pipe $\varnothing$ mm	H	L	L1	Weight
63	63	120	140	0,80
90	100	145	170	1,05
110	110	180	170	1,35
125	117	180	170	1,30
160	135	220	170	1,60
225	167	295	170	2,30

**ZAK 46**, for pipe drilling  $\varnothing$  35 mm

Pipe $\varnothing$ mm	H	L	L1	Weight
90	100	145	170	1,05
110	110	180	170	1,35
125	117	180	170	1,30
160	135	220	170	1,60
225	167	295	170	2,30

### ZAK-HAKU-Hawlinger

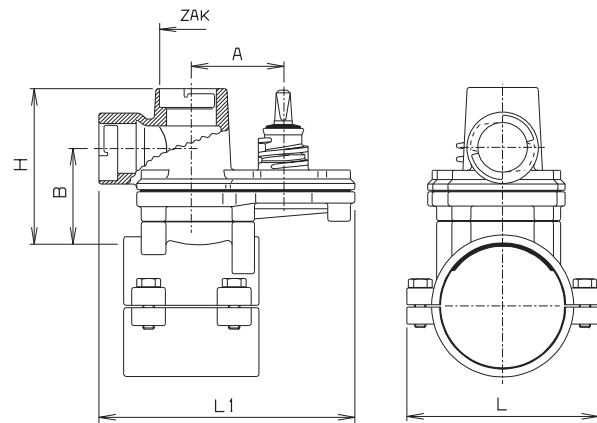
for lateral and vertical tapping  
of PE and PVC pipes

**No. 2310**



**No. 2305**

only for  
vertical  
tapping  
(without  
illustr.)



**ZAK 34**, for pipe drilling  $\varnothing$  25 mm, Dimensions No. 2310

Pipe $\varnothing$ mm	H	L	L1	A	B	Weight
63	125	155	175	68	75	6,80
90	125	155	175	68	75	6,90
110	125	170	175	68	75	7,30
125	125	190	175	68	75	7,20
140	125	205	175	68	75	8,10
160	125	230	175	68	75	9,00
225	125	305	175	68	75	11,10

**ZAK 46**, for pipe drilling  $\varnothing$  35 mm

Pipe $\varnothing$ mm	H	L	L1	A	B	Weight
90	130	155	225	82	65	8,70
110	130	170	225	82	65	9,10
125	130	190	225	82	65	10,40
140	130	205	225	82	65	10,00
160	130	230	225	82	65	11,00
180	130	250	225	82	65	12,50
225	130	305	225	82	65	13,90

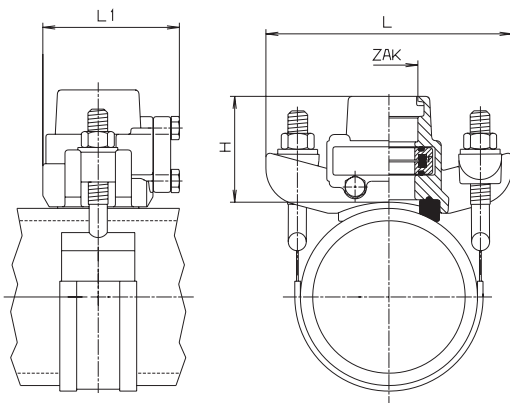
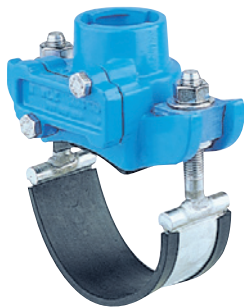
## ZAK-Universal Shut-Off Saddle

for lateral and vertical tapping  
of DCI, Steel- and AC pipes

**No. 3810** complete with straps and saddle seal

**No. 3810G** without straps and saddle seal

When ordering please state DN, pipe o.d. and pipe material



**ZAK 34**, for pipe drilling  $\varnothing$  25 mm

Weight without strap

Pipe $\varnothing$ mm	H	L	L1	Weight kg
65-500	83	200	112	2,50

**ZAK 46**, for pipe drilling  $\varnothing$  35 mm

Pipe $\varnothing$ mm	H	L	L1	Weight kg
65-500	86	200	112	3,00

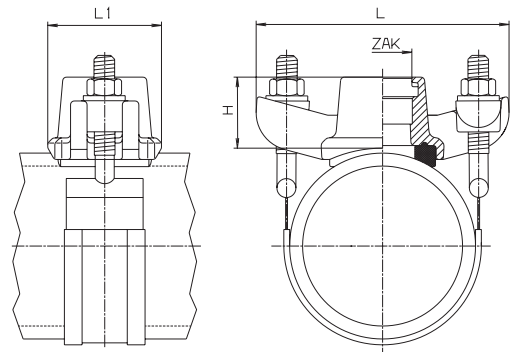
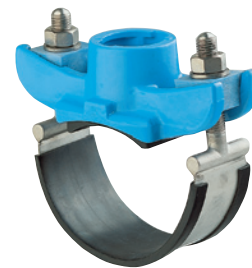
## ZAK-Universal Pipe Saddle

for lateral and vertical tapping  
of DCI, Steel- and AC pipes

**No. 3540** complete with straps and saddle seal

**No. 3540G** without straps and saddle seal

When ordering please state DN, pipe o.d. and pipe material



**ZAK 46**, for pipe drilling  $\varnothing$  35 mm

Weight without strap

Pipe $\varnothing$ mm	H	L	L1	Weight kg
65-500	65	200	90	1,70



### ZAK-Universal-Hawlinger

for lateral and vertical tapping  
of DCI, Steel- and AC pipes

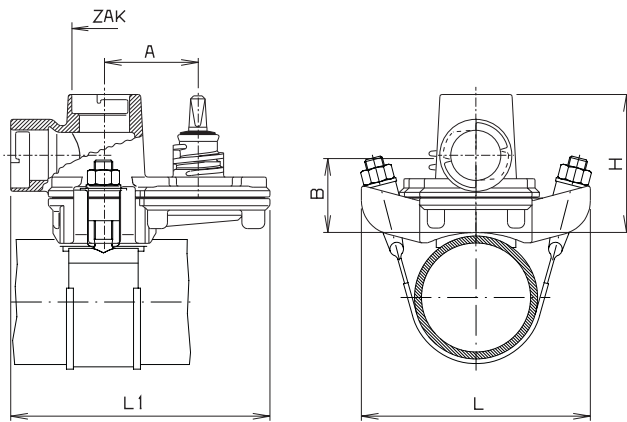
**No. 2410** complete with straps and saddle seal

**No. 2410G** without straps and saddle seal

When ordering please state DN, pipe o.d. and pipe material



**No. 2405**  
only for  
vertical  
tapping  
(without  
illustr.)



Weight without strap

**ZAK 34**, for pipe drilling  $\varnothing$  25 mm, Dimensiones No. 2410G

DN	H	L	L1	A	B	Weight
65-500	110	200	170	68	60	4,70

**ZAK 46**, for pipe drilling  $\varnothing$  35 mm

DN	H	L	L1	A	B	Weight
65-500	120	200	225	82	65	6,10

### Strap with Saddle Seal

inclusive grip pieces, washers and nuts

for all ZAK-Saddles and ZAK-Hawlinger

**No. 3110** DN 65-500

When ordering please state DN, pipe o.d. and pipe material



## ZAK-ISO-Fittings for PE-PIPES

### ZAK-Adaptor



#### No. 6160

ZAK	PE pipe Ø mm	Weight kg
34	20	0,30
	25	0,40
	32	0,50
	40	0,70
46	25	0,50
	32	0,70
	40	0,80
	50	1,20
	63	1,60

### ZAK-Elbow 90° 360° swivel type



#### No. 6465

ZAK	PE pipe Ø mm	Weight kg
34	32	1,60
	40	1,80
46	32	1,70
	40	1,90
	50	2,30
	63	2,80

### ZAK-Elbow 90° PE tail



#### No. 6479

ZAK	PE pipe Ø mm	Weight kg
34	32	0,80
	40	0,90
46	32	1,00
	40	0,65
	50	0,85
	63	1,30

### ZAK-Elbow 90°



#### No. 6480

ZAK	PE pipe Ø mm	Weight kg
34	20	0,40
	25	0,55
	32	0,80
	40	1,10
46	25	
	32	0,90
	40	1,20
	50	1,65
	63	2,10

### ZAK-PE tail



#### No. 6180

ZAK	PE pipe Ø mm	Weight kg
34	32	0,50
	40	0,95
46	32	0,60
	40	0,60
	50	0,90
	63	1,20

### ZAK-ISO fitting sliceable with detachable socket

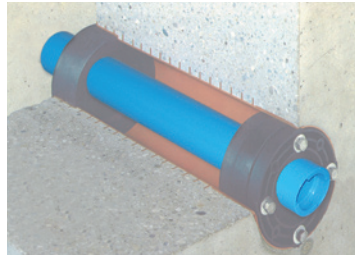


#### No. 6170

ZAK	PE pipe Ø mm	Weight kg
34	32	1,05
	50	1,85
46	32	1,10
	40	1,50
	50	1,70
	63	2,70

### ZAK-Wall Inlet Fitting

- No. 6992 **ZAK**-Socket 46 / 1¼" int. - casing ribbed
- No. 6993 **ZAK**-Socket 46 / ZAK-Socket 46 - casing ribbed
- No. 6994 **ZAK**-Socket 46 / 1¼" int. - casing smooth Ø 62 mm



**ZAK 46**

Order No.	Outlet A	Outlet B	Version	L	Weight kg
6992	ZAK-Socket 46	1¼" int.	casing ribbed	500	5,30
6993	ZAK-Socket 46	ZAK-Socket 46	casing ribbed	500	5,30
6994	ZAK-Socket 46	1¼" int.	casing smooth	500	3,80

### ZAK-Elbow 90° 360° swivel type

with **ZAK**-Spigot  
and **ZAK**-Socket



No. 6469

ZAK	Weight kg
46 - 46	1,10

### ZAK-Thread Adaptor

**ZAK**-Socket - external thread

- ZAK** 34 with conical external thread
- ZAK** 46 with cylindrical external thread \*)

\*) Cylindrical thread not suitable for usage with hemp or teflon.



No. 6189

**ZAK 34**, for pipe drilling Ø 25 mm

Thread	L	Weight
1¼"	60	0,30
1½"	55	0,30

**ZAK 46**, for pipe drilling Ø 35 mm

Thread	L	Weight
1¼"	67	0,30
1½"	67	0,60
2"	50	0,40

### ZAK-Reduction

- ZAK**-Spigot 46
- ZAK**-Socket 34



No. 6350

ZAK	L	Weight kg
46 - 34	58	0,35

### ZAK-Plug

for **ZAK**-adaptor



No. 6980

**ZAK 34**

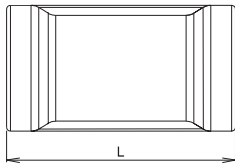
Weight kg
0,25

**ZAK 46**

Weight kg
0,45

**ZAK-Connector**

with double sockets

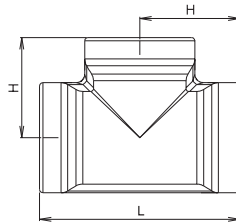


**No. 6340**

ZAK	L	Weight kg
46	120	1,00

**ZAK-Tee piece**

all socketed



**No. 6540**

ZAK	L	H	Weight kg
46	120	60	1,40

**ZAK-Drilling adaptor**

for Hawle drilling machines



**No. 5895**

ZAK	Weight kg
34	0,75
46	1,10

**O-ring**



**No. 6945**

ZAK
34
46

**Securityring**



**No. 6970**

ZAK
34
46

Illustrations, technical data, dimensions and weights are subject to alteration without notice.

Your distributor:

